



CONTENTS

Technical Data	34
Mounting Dimensions	36
Ordering Information	38
Style A (Box Mounting Receptacle)	39
Style B1, B2 (Box Mounting Receptacle)	40
Style C1, C2 (Thru-Bulkhead Receptacle)	41
Style D (Straight Plug)	42
Style E, E1 (Plug 90°)	43
Style F (Straight Plug)	44
Style G (Straight Plug)	45
Style H (Straight Plug)	46
Style J1, J2 (Wall Mounting Receptacle)	47
Style K (Plug 90°, Shielded)	48
Style L (Straight Plug, Shielded)	49
Style M (Straight Plug, Shielded)	50
Style N1, N2 (Wall Mounting Receptacle)	51
Style U1, U2 (Wall Mounting Receptacle)	52
Style DA, DH (Gasket)	53
Style KA, KR (Protective Covers for Receptacle)	55
Style KB, KC (Protective Covers for Plug)	56
Style B 0D (Dummies)	57

● Technical Data

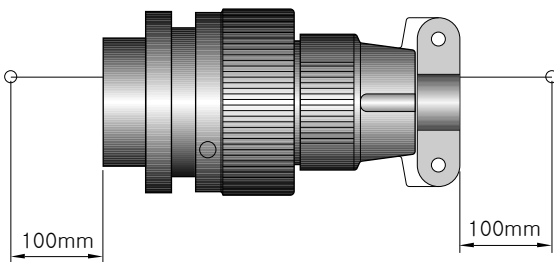
● Electrical Data

Contact Rating

Part Number		Max. Current A
Metric	AWG	
10	-	8
15/15S	16/16S	22
25	12	41
60/100	8	74
160	4	135
500	0	245

Measurement of Contact Resistance

The contact resistance has to be tested according to VG95319 Part 2, Test-No. 5. 10.1 and VG95210 part 37.



Contact Size		Contact resistance mΩ max.
Metric	AWG	
10	-	8
15/15S	16/16S	22
25	12	41
60/100	8	74
160	4	135
500	0	245

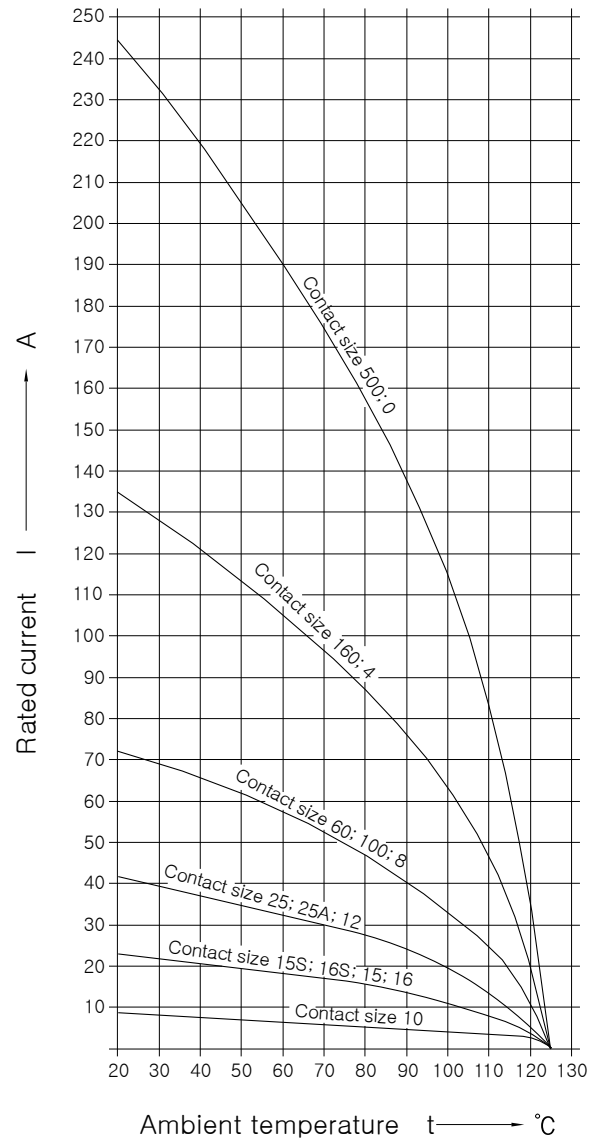
Dielectric Withstanding Voltage

According to VG95319 part 2, Test-No. 5. 13 and VG95210 part 31

Voltage class (Service Rating)	Test voltage V rms
1(Inst.)	1050
2(A)	1600
3(D)	2500
4(E)	3000

Frequency 50 Hz

Rated Current



Insulation Resistance

According to VG95319 part 2, Test-No. 5. 12 and VG 95210 part 32, Test condition B 5000 MΩmin.

Shield Connection and Shield Effect

According to VG95319 part 2, Test-No. 5. 11, test voltage however : max. DC 1.5V

● Technical Data

● Mechanical Features

Ambient Temperature
-55°C ~ 125°C

Watertightness

IP67 According to DIN 40050
Test pressure : 1 bar overpressure
Test duration : 12 hours

Vibration Test

200 m/s² at 100 to 2000Hz
Electrical load
Current : DC or AC 100mA
Current interruption : 10 μs max.

Mating Cycles

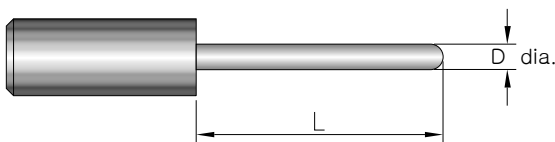
500 min.

Separating Force per Contact

The Corresponding force has to be measured according to VG95319, part 2, test no. 5.7. using the required test gage.

Contact Size		Separating N	Force min. Gage
Metric	AWG		
10	-	0.30	G 0.99
15S/15	16S/16	1.00	G 1.56
25	12	1.50	G 2.36
60/100	8	3.00	G 3.58
160	4	4.00	G 5.69
500	0	8.50	G 9.04

Gage



Gage	Contact Diameter D dia. ^{+0.01(.0004)} ₀	L ⁰ _{-1.00(.039)}
G 0.99	0.99 (.039)	7.00 (.276)
G 1.56	1.56 (.061)	9.00 (.354)
G 2.36	2.36 (.093)	12.00 (.472)
G 3.58	3.58 (.141)	13.00 (.512)
G 5.69	5.69 (.224)	13.00 (.512)
G 9.04	9.04 (.356)	13.00 (.512)

Contact Retention

The contact retention has to be tested according to VG95319, part 2, Test-No. 5. 4.

Contact Size		Test Force N
Metric	AWG	
10	-	30
15S/15	16S/16	35
25	12	55
60/100	8	80
160	4	90
500	0	95

Coupling Torque

The allowable coupling torques have to be tested under full bundle conditions of the connectors to VG95319, part 2, Test-No. 5. 8. 2.

Shell Size	Allowable Coupling Torque Closing and Opening Nm max.	Opening Nm min.
10SL	1.70	0.15
14S	3.60	0.35
16S/16	5.50	0.46
18	8.00	0.58
20	9.00	0.70
22	11.00	0.80
24	14.00	0.80
28	17.00	0.92
32	19.00	1.03
36	23.00	1.03

Coupling Torque

Shell : Aluminum alloy

Finish(standard) : Olive drab chromate coating
over cadmium plating

Insulator and Grommets : Polychloroprene

Contacts : Copper alloy

Finish(standard) : Hard silver

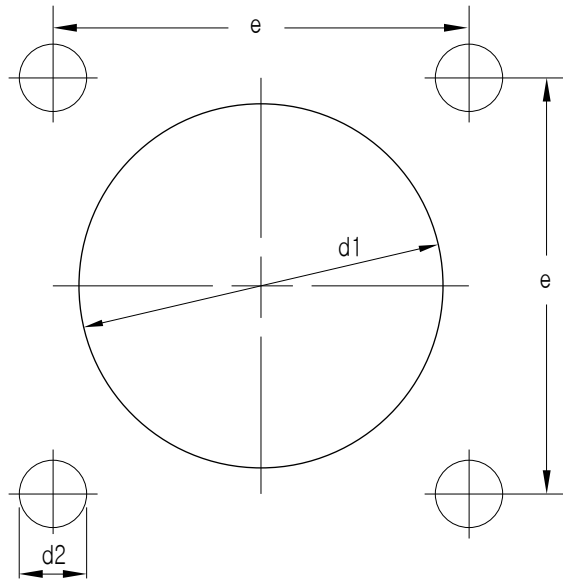
Finish(Special) A176 nickel and

hard gold plating

● Mounting dimensions

● Mounting Holes

Mounting holes for wall mounting receptacles style A, B1, B2, C1, C2, J1, J2, N1 and N2 acc. to VG95234



Shell Size	∅ d1 H12		∅ d2 H13		e ± 0.15(.006)	d2 Screw To Be Used	
	Style A	Style B1, B2 C1, C2, J1, J2 N1, N2	Style A, B2, C2 J2, N2	Style B1, C1, J1, N1		Style A, B2, C2, J2 N2	Style B1, C1, J1, N
10SL	16.40 (.646)	18.50 (.728)	3.40 (.134)	4.50 (.177)	18.20 (.717)	M3...DIN 85	M4...DIN 84
12S	16.40 (.646)	21.70 (.854)	3.40 (.134)	4.50 (.177)	20.60 (.811)	M3...DIN 85	M4...DIN 84
14S	19.70 (.776)	24.90 (.980)	3.40 (.134)	4.50 (.177)	23.00 (.906)	M3...DIN 85	M4...DIN 84
16S	22.90 (.902)	27.70 (1.091)	3.40 (.134)	4.50 (.177)	24.60 (.969)	M3...DIN 85	M4...DIN 84
16	22.90 (.902)	27.70 (1.091)	3.40 (.134)	4.50 (.177)	24.60 (.969)	M3...DIN 85	M4...DIN 84
18	26.10 (1.028)	31.10 (1.224)	3.40 (.134)	4.50 (.177)	27.00 (1.063)	M3...DIN 85	M4...DIN 84
20	29.50 (1.161)	34.50 (1.358)	3.40 (.134)	4.50 (.177)	29.40 (1.157)	M3...DIN 85	M4...DIN 84
22	32.70 (1.287)	37.80 (1.488)	3.40 (.134)	4.50 (.177)	31.80 (1.252)	M3...DIN 85	M4...DIN 84
24	36.00 (1.417)	41.30 (1.626)	3.90 (.154)	4.50 (.177)	34.90 (1.374)	M3.5...DIN 85	M4...DIN 84
28	42.00 (1.654)	47.10 (1.854)	3.90 (.154)	5.50 (.217)	39.70 (1.563)	M3.5...DIN 85	M5...DIN 84
32	48.30 (1.902)	53.80 (2.118)	4.50 (.177)	5.50 (.217)	44.50 (1.752)	M4...DIN 85	M5...DIN 84
36	54.60 (2.150)	60.00 (2.362)	4.50 (.177)	5.50 (.217)	49.20 (1.937)	M4...DIN 85	M5...DIN 84

When used with safety elements the max. outer diameter must not exceed the outer diameter of the screw head.

● Mounting dimensions

● Harnessing

VG95234 connectors are designed for single wire harnessing.
 Full sealing will be guaranteed only by using wires in accordance with MIL-W-5086, LN9251(for AWG) and TL6145-009 and TL-6145-011(for metric wires).
 All other wires have to conform to wire and insulation diameters with the data given in the following table:

AWG	Contact Size Metric	Crimp-and Solder contacts		AWG	Insulationø Metric mm
		AWG	Metric mm		
-	10	-	0.75-1.00	-	2.20-2.50
16S / 15S	16/15	16	0.75-1.50	2.20-2.80	2.20-2.80
12	25	12	2.50	3.10-3.50	3.10-3.50
-	60	-	6.00	-	4.40-4.90
8	100	8	10.00	5.50-6.50	5.90-6.50
4	160	4	16.00	8.50-9.40	7.10-7.70
0	500	0	50.00	11.50-13.00	12.10-12.80

1. ALL DIMENSIONS ARE MILLIMETERS.

● Wire Stripping

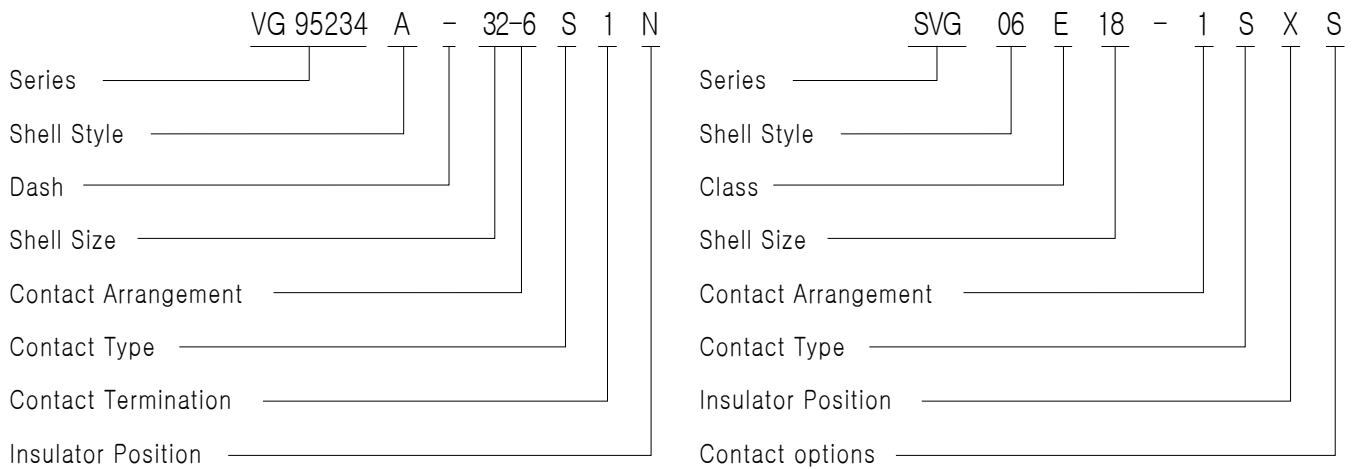
Either mechanical or hot stripping can be used.
 Prevent conductor or insulator damage. For solder contacts, conductors have to be pretinned.

Note : Do not twist conductors used with crimp contacts.
 Do not touch uninsulated conductors before crimping. Twisting of conductors and grease or lubricants on the wires cause poor crimp quality

AWG	Contact Size Metric	Stripping Length mm
-	10	4.00
16S / 15s	16 / 15	6.20
12	25	11.80
8	60 / 100	11.80
4	160	11.80
0	500	13.70

1. ALL DIMENSIONS ARE MILLIMETERS.

● How to Order



Explanation

Series	VG95234
Shell Style	J1, J2, N1, N2, S1, U1, U2-wall mounting receptacle F - cable connection plug A, B1, B2 - box mounting receptacle C1, C2 - bulkhead receptacle D, G, H, L, M, R1 - straight plug E, E1, K - Plug 90°
Shell Size	10SL, 14S, 16S, 16, 18, 20, 22, 24, 28, 32, and 36
Contact Arrangement	See page 11-25
Contact Type	P - Pin contact S - Socket contact
Contact Termination	without identification - contacts for metric wire size identification 1 - contact for AWG wire sizes
Insulator Position	See page 25.
Accessories Acc. to VG	
VG95234 BOD	Dummy receptacles
VG95234 DA	Gaskets, front mount
VG95234 DH	Gaskets, rear mount
VG95234 KR	Proteting caps
VG95234 KB	Proteting caps
VG95234 KK	Cable caps
VG95234 KT	Bushing

Explanation

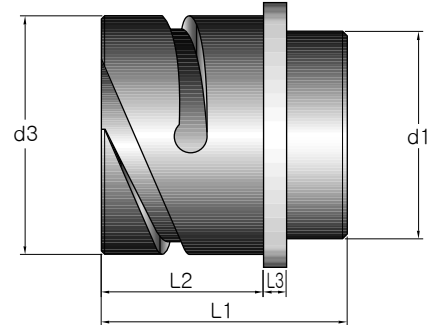
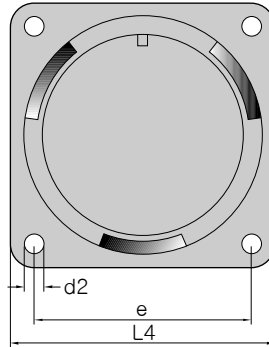
Series	SVG - Circular connectors with bayonet coupling
Shell Style	00 - Wall mounting receptacle 01 - CAble connecting plug 02 - Box mounting receptacle 05 - Dummy receptacle for front and panel mounting 06 - Plug, straight 08 - Plug, 90° 09 - Bulkhead receptacle
Class	E - environmental with resiliential with insulator and endbell with clamp and bushing F - environmental with resiliential with insulator and endbell for flex tube R - environmental with resiliential with insulator and shortened light-weight endbell without cable clamp
Shell Size	10SL, 12S, 14S, 16S, 16, 18, 20, 22, 24, 28, 32 and 36
Contact Arrangement	See page 11-25
Contact Type	P - Pin S - Socket PS - one side pin, one side socket (only for 09 style)
Insulator Position	Besides the normalposition further insulator positions are possible for SUNGJIN connectors(see page 24) to prevent mismatching. Polarization is achieved by tuming the pin contact insulator clockwise tows the shell, the socket insulator, however, in opposite clockwise direction.This information refers to the mating side of the contact insulator. For special insert alternations of standard inserts see page 26
Contact Options	C - crimp contact S - solder contact

● Box Mounting Receptacle

SVG02A/E/R (VG95234 Style A)

Receptacle for front panel mounting with square flange

Threaded holes in flange not possible



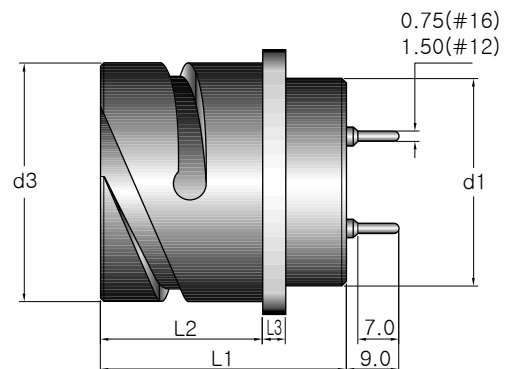
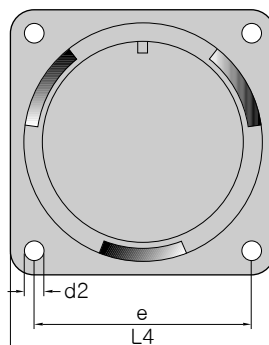
Shell size	d ₁ max.	d ₂ H13	d ₃ -0.15	e ±0.1	L ₁ ±0.3	L ₂ +0.4	L ₃ ±0.2	L ₄ ±0.3	Weight ²⁾ g max
10SL	16.20	3.20	18.20	18.20	24.70	14.20	2.80	25.40	12
12S	16.20	3.20	21.40	20.60	24.70	14.20	3.20	28.00	15
14S	19.20	3.20	24.60	23.00	24.70	14.20	3.20	30.00	17
16S	22.40	3.20	27.40	24.60	24.70	14.20	3.20	32.50	19
16	22.40	3.20	27.40	24.60	33.80	19.00	3.20	32.50	22
18	25.60	3.20	30.80	27.00	33.80	19.00	4.00	35.00	28
20	29.00	3.20	34.20	29.40	33.80	19.00	4.00	38.00	33
22	32.20	3.20	37.40	31.80	33.80	19.00	4.00	41.00	38
24	35.30	3.70	40.90	34.90	33.80	20.60	4.00	44.50	46
28	41.40	3.70	46.70	39.70	33.80	20.60	4.00	50.80	52
32	47.80	4.30	53.40	44.50	33.80	22.20	4.00	57.00	64
36	52.60	4.30	59.60	49.20	33.80	22.20	4.00	63.50	80

1. All dimensions are in millimeters.

2. Weight without insulator

SVG02L designation a receptacle for front panel mounting with solder pin contacts to solder into printed circuits. All pattern drawings upon request. For all other dimensions see above table.

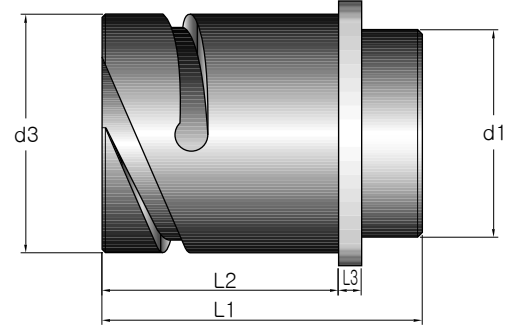
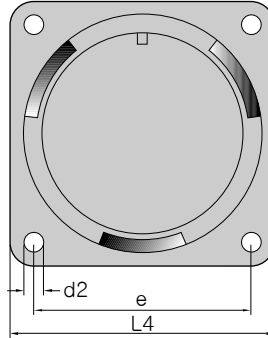
For contact arrangements with #16 and #12 contacts only.



● Box Mounting Receptacle for front panel mounting with square flange

Receptacle for rear panel mounting

SVG02B1(VG95234 Style B1)
with threaded holes in flange
SVG02B2(VG95234 Style B2)
with through holes in flange

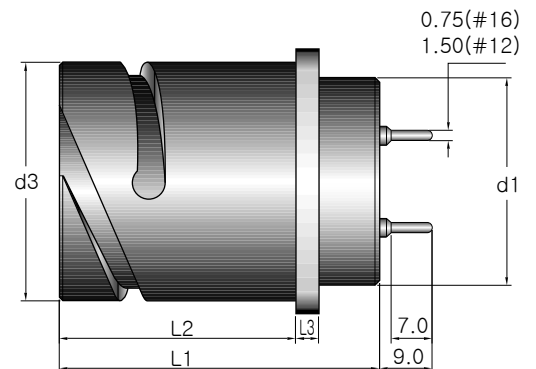
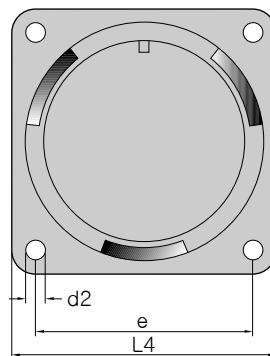


Shell size	d1 max	d2		d3 -.006 [-0.15]	e ±.004 [±0.1]	L1 ±.012 [±0.3]	L2 +.016 [+0.4]	L3 ±.008 [±0.2]	L4 ±.012 [±0.3]	Weight ²⁾ g max
		B1	B2 H13							
10SL	.638 [16.20]	M4 [M4]	.126 [3.20]	.717 [11.20]	.717 [18.20]	.972 [24.70]	.717 [18.20]	.110 [2.80]	1.000 [25.40]	14
12S	.638 [16.20]	M4 [M4]	.126 [3.20]	.843 [21.40]	.811 [20.60]	.972 [24.70]	.717 [18.20]	.126 [3.20]	1.102 [28.00]	18
14S	.756 [19.20]	M4 [M4]	.126 [3.20]	.969 [24.60]	.906 [23.00]	.972 [24.70]	.717 [18.20]	.126 [3.20]	1.181 [30.00]	21
16S	.882 [22.40]	M4 [M4]	.126 [3.20]	1.080 [27.40]	.967 [24.60]	.972 [24.70]	.717 [18.20]	.126 [3.20]	1.280 [32.50]	22
16	.882 [22.40]	M4 [M4]	.126 [3.20]	1.080 [27.40]	.967 [24.60]	1.331 [33.80]	.846 [21.50]	.126 [3.20]	1.280 [32.50]	27
18	1.008 [25.60]	M4 [M4]	.126 [3.20]	1.213 [30.80]	1.063 [27.00]	1.331 [33.80]	.907 [23.05]	.157 [4.00]	1.378 [35.00]	53
20	1.142 [29.00]	M4 [M4]	.126 [3.20]	1.346 [34.20]	1.157 [29.40]	1.331 [33.80]	.907 [23.05]	.157 [4.00]	1.496 [38.00]	37
22	1.268 [32.20]	M4 [M4]	.126 [3.20]	1.427 [37.40]	1.252 [31.80]	1.331 [33.80]	.907 [23.05]	.157 [4.00]	1.614 [41.00]	42
24	1.390 [35.30]	M4 [M4]	.146 [3.70]	1.610 [40.90]	1.374 [34.90]	1.331 [33.80]	.907 [23.05]	.157 [4.00]	1.752 [44.50]	48
28	1.630 [41.40]	M5 [M5]	.146 [3.70]	1.840 [46.70]	1.563 [39.70]	1.331 [33.80]	.947 [24.05]	.157 [4.00]	2.000 [50.80]	58
32	1.882 [47.80]	M5 [M5]	.170 [4.30]	2.102 [53.40]	1.752 [44.50]	1.331 [33.80]	.947 [24.05]	.157 [4.00]	2.244 [57.00]	72
36	2.130 [54.10]	M5 [M5]	.170 [4.30]	2.346 [59.60]	1.937 [49.20]	1.331 [33.80]	.947 [24.05]	.157 [4.00]	2.500 [63.50]	84

1. Dimensions in brackets [] are in millimeters.
2. Weight without insulator

CA20L-B designates a receptacle for rear panel mounting with solder pin contacts to solder into printed circuits. All pattern drawings upon request. For all other dimensions see above table.

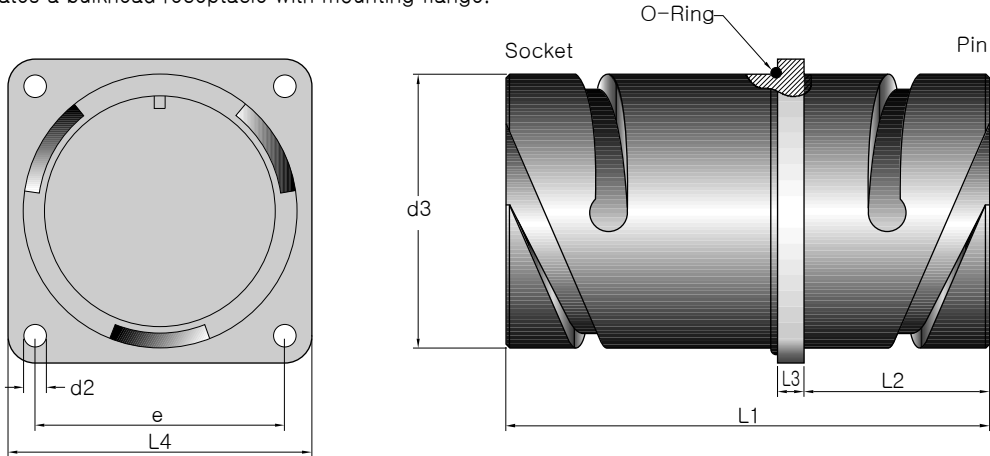
For contact arrangements with #16 and #12 contacts only.



● Thru-Bulkhead Receptacle

SVG091(VG95234 Style C1) with thread holes
 SVG092(VG95234 Style C2) with flange through holes

SVG09 designates a bulkhead receptacle with mounting flange.



Shell size	d ₂		d ₂ -.006 [-0.15]	e ±.004 [±0.1]	L ₁ ±.028 [±0.7]	L ₂ +.012 [+0.3]	L ₃ ±.008 [±0.2]	L ₄ ±.012 [±0.3]	Weight ²⁾ g max
	C1	C2 H13							
10SL	M4	.126	.717	.717	1.476	.559	.110	1.000	17
	[M4]	[3.20]	[18.20]	[18.20]	[37.50]	[18.20]	[2.80]	[25.40]	
12S	M4	.126	.843	.811	1.476	.559	.126	1.102	24
	[M4]	[3.20]	[21.40]	[20.60]	[37.50]	[18.20]	[3.20]	[28.00]	
14S	M4	.126	.969	.906	1.476	.559	.126	1.181	29
	[M4]	[3.20]	[24.60]	[23.00]	[37.50]	[18.20]	[3.20]	[30.00]	
16S	M4	.126	1.079	.969	1.476	.559	.126	1.280	34
	[M4]	[3.20]	[27.40]	[24.60]	[37.50]	[18.20]	[3.20]	[32.50]	
16	M4	.126	1.079	.969	2.024	.748	.126	1.280	41
	[M4]	[3.20]	[27.40]	[24.60]	[51.40]	[21.50]	[3.20]	[32.50]	
18	M4	.126	1.213	1.063	2.024	.748	.157	1.378	49
	[M4]	[3.20]	[30.80]	[27.00]	[51.40]	[23.05]	[4.00]	[35.00]	
20	M4	.126	1.346	1.157	2.024	.748	.157	1.496	56
	[M4]	[3.20]	[34.20]	[29.40]	[51.40]	[23.05]	[4.00]	[38.00]	
22	M4	.126	1.472	1.252	2.024	.748	.157	1.614	61
	[M4]	[3.20]	[37.40]	[31.80]	[51.40]	[23.05]	[4.00]	[41.00]	
24	M4	.146	1.610	1.374	2.024	.811	.157	1.752	65
	[M4]	[3.70]	[40.90]	[34.90]	[51.40]	[23.05]	[4.00]	[44.50]	
28	M5	.146	1.839	1.563	2.024	.811	.157	2.000	76
	[M5]	[3.70]	[46.70]	[39.70]	[51.40]	[24.05]	[4.00]	[50.80]	
32	M5	.170	2.102	1.752	2.024	.874	.157	2.244	92
	[M5]	[4.30]	[53.40]	[44.50]	[51.40]	[24.05]	[4.00]	[57.00]	
36	M5	.170	2.346	1.937	2.024	.874	.157	2.500	103
	[M5]	[4.30]	[59.60]	[49.20]	[51.40]	[24.05]	[4.00]	[63.50]	

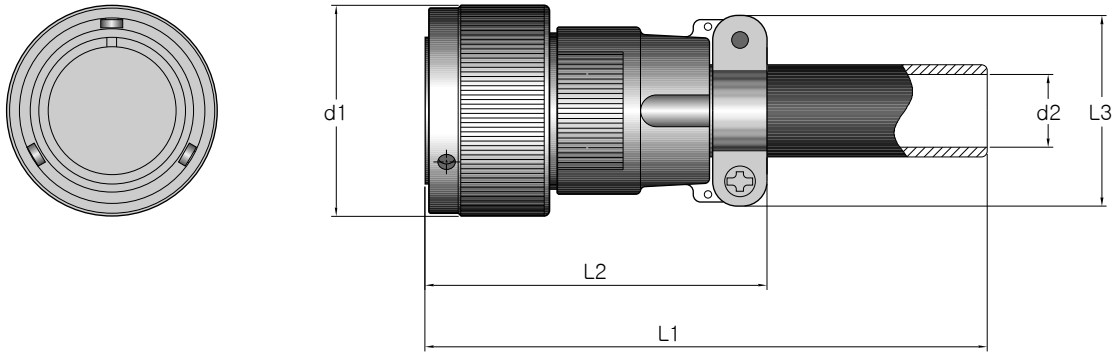
1. Dimensions in brackets [] are in millimeters.

2. Weight without insulator.

● Straight Plug

SVG06E (VG95234 Style D)

designates a straight plug with endbell, cable clamp and telescoping bushing



Shell size	d ₁ [max]	d ₂ [max]	L ₁ [max]	L ₂ [max]	L ₃ [max]	Weight ²⁾ [max]
10SL	.898 [22.80]	.256 [6.50]	4.528 [115.00]	2.165 [55.00]	.894 [22.70]	30
12S	1.024 [26.00]	.256 [6.50]	4.528 [115.00]	2.165 [55.00]	.894 [22.70]	37
14S	1.150 [29.20]	.354 [9.00]	4.528 [115.00]	2.362 [60.00]	1.083 [27.50]	44
16S	1.260 [32.00]	.433 [11.00]	4.528 [115.00]	2.362 [60.00]	1.181 [30.00]	54
16	1.260 [32.00]	.433 [11.00]	4.724 [120.00]	2.756 [70.00]	1.181 [30.00]	62
18	1.437 [36.50]	.559 [14.20]	4.724 [120.00]	2.953 [75.00]	1.299 [33.00]	70
20	1.571 [39.90]	.622 [15.80]	4.724 [120.00]	2.953 [75.00]	1.476 [37.50]	85
22	1.697 [43.10]	.622 [15.80]	4.724 [120.00]	2.953 [75.00]	1.476 [37.50]	92
24	1.835 [46.60]	.843 [21.40]	4.724 [120.00]	3.543 [90.00]	1.705 [43.30]	127
28	2.102 [53.40]	.843 [21.40]	4.724 [120.00]	3.543 [90.00]	1.890 [48.00]	154
32	2.366 [60.10]	1.051 [26.70]	4.724 [120.00]	3.543 [90.00]	2.165 [55.00]	199
36	2.610 [66.30]	1.248 [31.70]	5.118 [130.00]	3.937 [100.00]	2.283 [58.00]	260

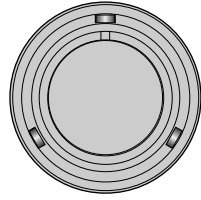
1. Dimensions in brackets [] are in millimeters.

2. Weight without insulator

Bayonet Coupling Connector

VG95234 Connector

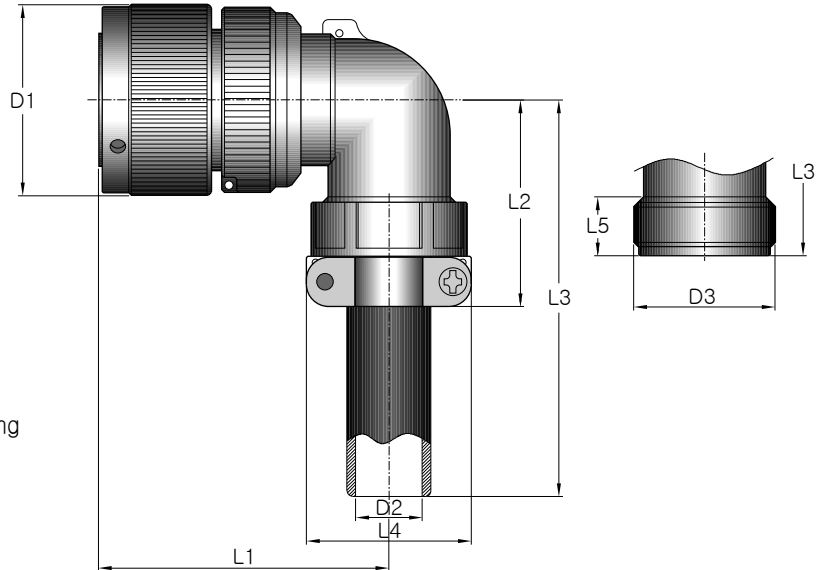
● Plug 90°



SVG08E/F(VG95234 Style E1 with flex tube)

SVG08E/F designates a plug 90°, which is available with cable clamp and bushing (E) or with flex tube termination (F)

VG95234 Style E (with cable clamp and telescoping bushing)



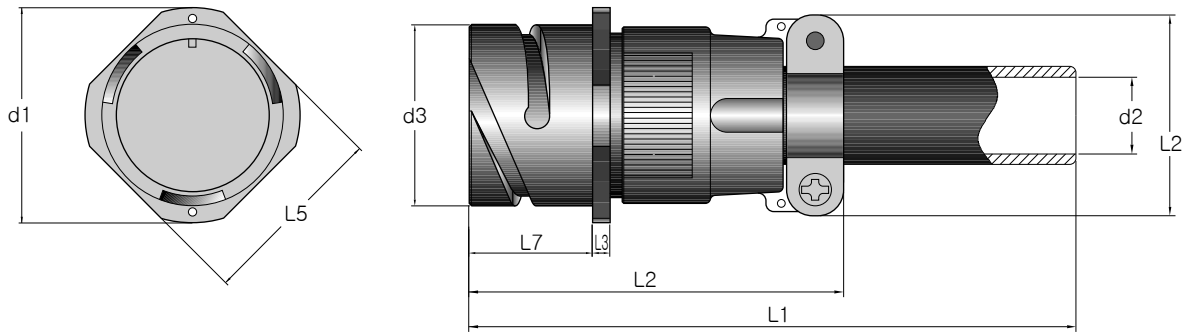
Shell size	d ₃ -thread Style E1 SVG08F	d ₁ max	d ₂ max	l ₁ max	l ₂ max	l ₃ max		l ₄ max	l ₅ max	Weight ²⁾ g max	
						E1	E			E1	E
10SL	5/8-24NEF-2A	.898 [22.80]	.256 [6.50]	1.772 [45.00]	1.654 [42.00]	1.818 [30.00]	3.937 [100.00]	.894 [22.70]	.370 [9.40]	37	27
12S	5/8-24NEF-2A	1.024 [26.00]	.256 [6.50]	1.772 [45.00]	1.654 [42.00]	1.818 [30.00]	3.937 [100.00]	.894 [22.70]	.370 [9.40]	45	35
14S	3/4-20UNEF-2A	1.150 [29.20]	.354 [9.00]	1.850 [47.00]	1.654 [42.00]	1.818 [30.00]	3.937 [100.00]	1.083 [27.50]	.370 [9.40]	58	43
16S	7/8-20UNEF-2A	1.260 [32.00]	.433 [11.00]	1.890 [48.00]	1.772 [45.00]	1.818 [30.00]	3.937 [100.00]	1.181 [30.00]	.370 [9.40]	68	48
16	7/8-20UNEF-2A	1.260 [32.00]	.433 [11.00]	2.244 [57.00]	1.772 [45.00]	1.818 [30.00]	3.937 [100.00]	1.181 [30.00]	.370 [9.40]	78	58
18	1-20UNEF-2A	1.437 [36.50]	.559 [14.20]	2.283 [58.00]	2.087 [53.00]	1.437 [35.00]	3.937 [100.00]	1.299 [33.00]	.370 [9.40]	90	58
20	1-3/16-18NEF-2A	1.571 [39.90]	.622 [15.80]	2.402 [61.00]	2.087 [53.00]	1.571 [35.00]	3.937 [100.00]	1.476 [37.50]	.370 [9.40]	109	74
22	1-3/16-18NEF-2A	1.697 [43.10]	.622 [15.80]	2.402 [61.00]	2.087 [53.00]	1.697 [35.00]	3.937 [100.00]	1.476 [37.50]	.370 [9.40]	113	78
24	1-7/16-18NEF-2A	1.835 [46.60]	.843 [21.40]	2.598 [66.00]	2.283 [58.00]	1.835 [40.00]	3.937 [100.00]	1.705 [43.30]	.370 [9.40]	159	104
28	1-7/16-18NEF-2A	2.102 [53.40]	.843 [21.40]	2.598 [66.00]	2.283 [58.00]	2.102 [40.00]	3.937 [100.00]	1.705 [43.30]	.370 [9.40]	181	126
32	1-3/4-18NS-2A	2.366 [60.10]	1.051 [26.70]	2.835 [72.00]	2.598 [66.00]	2.366 [45.00]	4.331 [110.00]	2.035 [51.70]	.433 [11.00]	245	160
36	2-18NS-2A	2.610 [66.30]	1.248 [31.70]	2.953 [75.00]	2.717 [69.00]	2.610 [50.00]	4.331 [110.00]	2.283 [58.00]	.496 [12.60]	300	190

1. Dimensions in brackets [] are in millimeters.

2. Weight without insulator

● Straight Plug

SVG01E(VG95234 Style F)
designates a cable connection plug
with cable clamp and a telescoping bushing



Shell size	d ₁ max	d ₂	d ₃ - .006 [-0.15]	L ₁ max	L ₂ ±.004 [±0.1]	L ₃ ±.008 [±0.2]	L ₄ max	L ₅ ±.008 [±0.2]	L ₇ max	Weight ²⁾ g max
10SL	.992 [25.20]	.256 [6.50]	.717 [18.20]	2.244 [45.00]	.654 [16.60]	.110 [2.80]	4.724 [120.00]	.811 [20.60]	.894 [22.70]	35
12S	1.094 [27.80]	.256 [6.50]	.843 [21.40]	2.244 [45.00]	.654 [16.60]	.126 [3.20]	4.724 [120.00]	.929 [23.60]	.894 [22.70]	43
14S	1.173 [29.80]	.354 [9.00]	.969 [24.60]	2.323 [47.00]	.654 [16.60]	.126 [3.20]	4.724 [120.00]	1.000 [25.40]	1.083 [27.50]	50
16S	1.272 [32.30]	.433 [11.00]	1.080 [27.40]	2.362 [48.00]	.654 [16.60]	.126 [3.20]	4.724 [120.00]	1.126 [28.60]	1.181 [30.00]	60
16	1.272 [32.30]	.433 [11.00]	1.080 [27.40]	2.677 [57.00]	.941 [23.90]	.126 [3.20]	4.921 [125.00]	1.126 [28.60]	1.181 [30.00]	65
18	1.370 [34.80]	.559 [14.20]	1.213 [30.80]	2.835 [58.00]	.941 [23.90]	.157 [4.00]	4.921 [125.00]	1.248 [31.70]	1.299 [33.00]	80
20	1.488 [37.80]	.622 [15.80]	1.346 [34.20]	2.835 [61.00]	.941 [23.90]	.157 [4.00]	4.921 [125.00]	1.347 [34.90]	1.476 [37.50]	95
22	1.681 [41.10]	.622 [15.80]	1.427 [37.40]	2.835 [61.00]	.941 [23.90]	.157 [4.00]	4.921 [125.00]	1.500 [38.10]	1.476 [37.50]	105
24	1.756 [44.60]	.843 [21.40]	1.610 [40.90]	3.071 [66.00]	.941 [23.90]	.157 [4.00]	4.921 [125.00]	1.626 [41.30]	1.705 [43.30]	140
28	2.004 [50.90]	.843 [21.40]	1.839 [46.70]	3.110 [66.00]	.941 [23.90]	.157 [4.00]	4.921 [125.00]	1.874 [47.60]	1.705 [43.30]	160
32	2.248 [57.10]	1.051 [26.70]	2.102 [53.40]	3.071 [72.00]	.941 [23.90]	.157 [4.00]	4.921 [125.00]	2.126 [54.00]	2.035 [51.70]	205
36	2.504 [63.66]	1.248 [31.70]	2.346 [59.60]	3.071 [75.00]	.941 [23.90]	.157 [4.00]	5.315 [135.00]	2.386 [60.60]	2.283 [58.00]	270

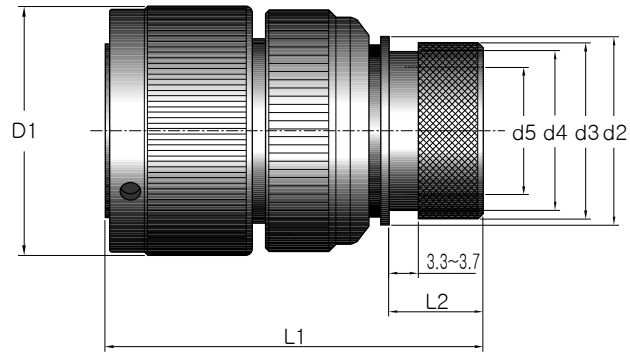
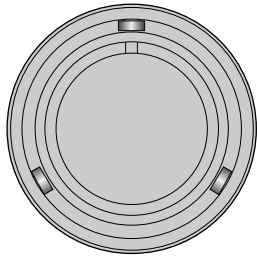
1. Dimensions in brackets [] are in millimeters.

2. Weight without insulator

● Straight Plug

SVG06E1(VG95234 Style G)

SVG06E1 designates a straight plug with adapter for heat shrinkable boots



Shell size	d ₁ max	d ₂ ± .008 ± 0.2	d ₃ ± .008 ± 0.2	d ₄ max	d ₄ min	l ₁ max	l ₂ ± .020 ± 0.5	Weight ²⁾ g max
10SL	.898 [22.80]	.669 [17.00]	.610 [15.50]	.524 [13.30]	.303 [7.70]	1.969 [50.00]	.416 [16.60]	24
12S	1.024 [26.00]	.701 [17.80]	.610 [15.50]	.524 [13.30]	.311 [7.90]	1.969 [50.00]	.416 [16.60]	35
14S	1.150 [29.20]	.791 [20.10]	.752 [19.10]	.669 [17.00]	.417 [10.60]	1.969 [50.00]	.416 [16.60]	41
16S	1.260 [32.00]	.925 [23.50]	.941 [23.90]	.862 [21.90]	.531 [13.50]	1.969 [50.00]	.416 [16.60]	51
16	1.260 [32.00]	.925 [23.50]	.941 [23.90]	.862 [21.90]	.531 [13.50]	2.362 [60.00]	.416 [23.90]	58
18	1.437 [36.50]	1.043 [26.50]	.941 [23.90]	.862 [21.90]	.531 [14.60]	2.362 [60.00]	.416 [23.90]	65
20	1.571 [39.90]	1.189 [30.20]	1.165 [29.60]	1.031 [26.20]	.736 [18.70]	2.559 [65.00]	.500 [23.90]	75
22	1.697 [43.10]	1.323 [33.60]	1.165 [29.60]	1.031 [26.20]	.819 [20.80]	2.559 [65.00]	.500 [23.90]	80
24	1.835 [46.60]	1.500 [38.10]	1.488 [37.80]	1.358 [34.50]	.969 [24.60]	2.559 [65.00]	.500 [23.90]	95
28	2.102 [53.40]	1.630 [41.40]	1.488 [37.80]	1.358 [34.50]	1.063 [27.00]	2.559 [65.00]	.500 [23.90]	120
32	2.366 [60.10]	1.913 [48.60]	1.882 [47.80]	1.717 [43.60]	1.311 [33.30]	2.756 [70.00]	.598 [23.90]	120
36	2.610 [63.30]	2.157 [54.80]	1.882 [47.80]	1.717 [43.60]	1.516 [38.50]	3.150 [80.00]	.598 [23.90]	180

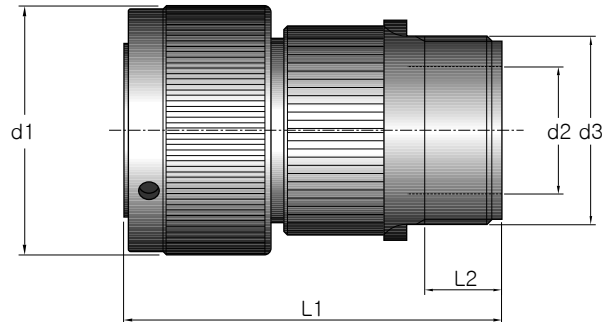
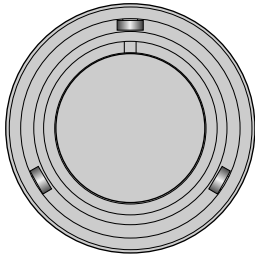
1. Dimensions in brackets [] are in millimeters.

2. Weight without insulator

● Straight Plug

SVG06E2(VG95234 Style H)

SVG06E2 designates a straight plug for flex tube



Shell size	d ₃ -thread	d ₁ max	d ₂	L ₁ max	L ₂ min	Weight ²⁾ g max
10SL	5/8-24NEF-2A	.898 [22.80]	.323 [8.20]	1.969 [50.00]	.374 [9.50]	21
12S	5/8-24NEF-2A	1.024 [26.00]	.323 [8.20]	1.969 [50.00]	.374 [9.50]	29
14S	3/4-20UNEF-2A	1.150 [29.20]	.437 [11.10]	1.969 [50.00]	.374 [9.50]	33
16S	7/8-20UNEF-2A	1.260 [32.00]	.563 [14.30]	1.969 [50.00]	.374 [9.50]	42
16	7/8-20UNEF-2A	1.260 [32.00]	.563 [14.30]	2.362 [60.00]	.374 [9.50]	51
18	1-20UNEF-2A	1.437 [36.50]	.657 [16.70]	2.362 [60.00]	.374 [9.50]	59
20	1-3/16-18UNEF-2A	1.571 [39.90]	.780 [19.80]	2.362 [60.00]	.374 [9.50]	59
22	1-3/16-18NEF-2A	1.697 [43.10]	.780 [19.80]	2.362 [60.00]	.374 [9.50]	62
24	1-7/16-18NEF-2A	1.835 [46.60]	1.000 [25.40]	2.559 [65.00]	.374 [9.50]	84
28	1-7/16NEF-2A	2.102 [53.40]	1.063 [27.00]	2.559 [65.00]	.374 [9.50]	100
32	1-3/4-18NS-2A	2.366 [60.10]	1.280 [32.50]	2.559 [65.00]	.433 [11.00]	116
36	2-18NS-2A	2.610 [66.30]	1.406 [35.70]	3.150 [80.00]	.465 [11.80]	142

1. Dimensions in brackets [] are in millimeters.

2. Weight without insulator

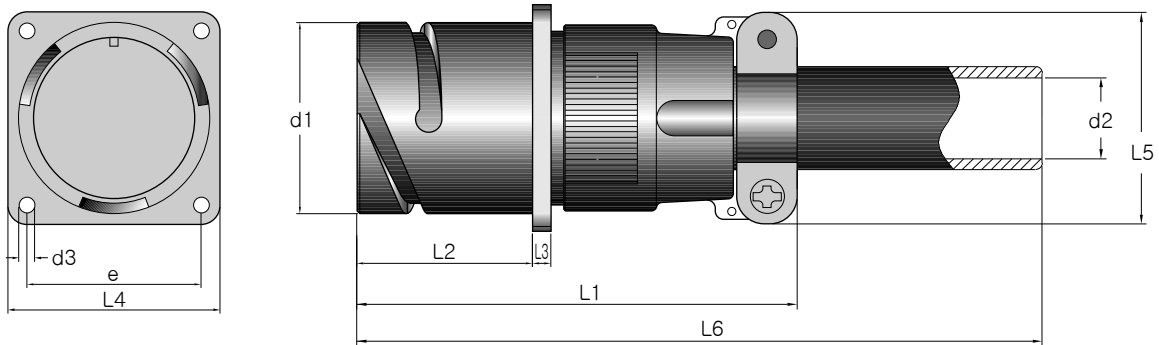
● Wall Mounting Receptacle

For rear mounting

SVG00E1(VG95234 Style J1) with threaded holes in flange

SVG00E2(VG95234 Style J2) with through holes in flange

SVG00E designates a wall mounting receptacle with cable clamp and telescoping bushing



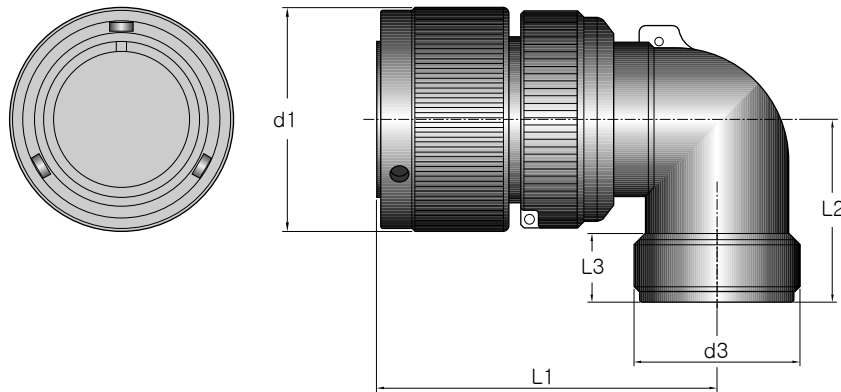
Shell size	d ₁ -.006 [-0.15]	d ₂	d ₃		e ±.004 [±0.1]	L ₁ max	L ₂ +.016 [+0.4]	L ₃ ±.008 [±0.2]	L ₅ max	L ₄ ±.012 [±0.3]
			J1	J2						
10SL	.717 [18.20]	.256 [6.50]	M4 [M4]	.126 [3.20]	.717 [18.20]	2.244 [50.00]	.717 [18.20]	.110 [2.80]	4.724 [25.40]	1.000 [120]
12S	.843 [21.40]	.256 [6.50]	M4 [M4]	.126 [3.20]	.811 [20.60]	2.244 [50.00]	.717 [18.20]	.126 [3.20]	4.724 [28.00]	1.102 [120]
14S	.969 [24.60]	.354 [9.00]	M4 [M4]	.126 [3.20]	.906 [23.00]	2.323 [50.00]	.717 [18.20]	.126 [3.20]	4.724 [30.00]	1.181 [120]
16S	1.079 [27.40]	.433 [11.00]	M4 [M4]	.126 [3.20]	.969 [24.60]	2.362 [50.00]	.717 [18.20]	.126 [3.20]	4.724 [32.50]	1.280 [120]
16	1.079 [27.40]	.433 [11.00]	M4 [M4]	.126 [3.20]	.969 [24.60]	2.677 [60.00]	.846 [21.50]	.126 [3.20]	4.921 [32.50]	1.280 [125]
18	1.213 [30.80]	.559 [14.20]	M4 [M4]	.126 [3.20]	1.063 [27.00]	2.835 [60.00]	.907 [23.05]	.157 [4.00]	4.921 [35.00]	1.378 [125]
20	1.346 [34.20]	.622 [15.80]	M4 [M4]	.126 [3.20]	1.157 [29.40]	2.835 [65.00]	.907 [23.05]	.157 [4.00]	4.921 [38.00]	1.496 [125]
22	1.472 [37.40]	.622 [15.80]	M4 [M4]	.126 [3.20]	1.252 [31.80]	2.835 [65.00]	.907 [23.05]	.157 [4.00]	4.921 [41.00]	1.614 [125]
24	1.610 [40.90]	.843 [21.40]	M4 [M4]	.146 [3.70]	1.374 [34.90]	3.071 [65.00]	.907 [23.05]	.157 [4.00]	4.921 [44.50]	1.752 [125]
28	1.839 [46.70]	.843 [21.40]	M5 [M5]	.146 [3.70]	1.563 [39.70]	3.110 [65.00]	.947 [24.05]	.157 [4.00]	4.921 [50.80]	2.000 [125]
32	2.102 [53.40]	1.051 [26.70]	M5 [M5]	.169 [4.30]	1.752 [44.50]	3.071 [70.00]	.947 [24.05]	.157 [4.00]	4.921 [57.00]	2.244 [125]
36	2.346 [59.60]	1.248 [31.70]	M5 [M5]	.169 [4.30]	1.937 [49.20]	3.071 [80.00]	.947 [24.05]	.157 [4.00]	5.315 [63.50]	2.500 [135]

1. Dimensions in brackets [] are in millimeters.

● Plug 90 Shielded

SVG08F(VG95234 Style K)

SVG08F designates a shielded plug with 90 endbell for flex tube



Shell size	d3-thread	d1 max	L1 max	L2 max	L3 min	Weight ²⁾ g max
10SL	5/8-24UNEF-2A	.898 [22.80]	1.772 [50.00]	.866 [22.00]	.370 [2.80]	27
12S	5/8-27UNEF-2A	1.024 [26.00]	1.772 [50.00]	.866 [22.00]	.370 [3.20]	35
14S	3/4-20UNEF-2A	1.150 [29.20]	1.850 [50.00]	.945 [24.00]	.370 [3.20]	43
16S	7/8-20UNEF-2A	1.260 [32.00]	1.890 [50.00]	.984 [25.00]	.370 [3.20]	48
16	7/8-20UNEF-2A	1.260 [32.00]	2.244 [60.00]	.984 [25.00]	.370 [3.20]	58
18	1-20UNEF-2A	1.437 [36.50]	2.283 [60.00]	1.629 [27.00]	.370 [4.00]	58
20	1-3/16-18NEF-2A	1.453 [39.90]	2.402 [65.00]	1.142 [29.00]	.370 [4.00]	74
22	1-3/16-18NEF-2A	1.697 [43.10]	2.402 [65.00]	1.818 [30.00]	.370 [4.00]	78
24	1-7/16-18NEF-2A	1.835 [46.60]	2.598 [65.00]	1.260 [32.00]	.370 [4.00]	104
28	1-7/16-18NEF-2A	2.102 [53.40]	2.598 [65.00]	1.338 [34.00]	.370 [4.00]	126
32	1-3/4-18NS-2A	2.366 [60.10]	2.835 [70.00]	1.555 [39.50]	.433 [4.00]	160
36	2-18NS-2A	2.610 [66.30]	2.953 [80.00]	1.772 [45.00]	.496 [4.00]	190

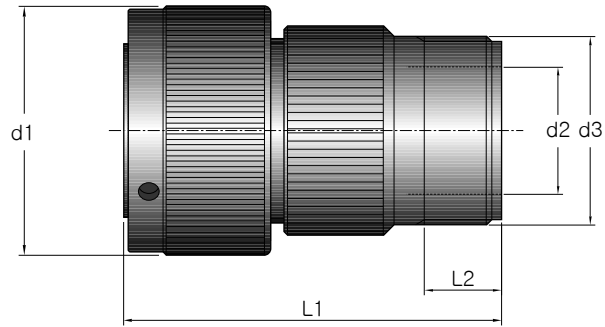
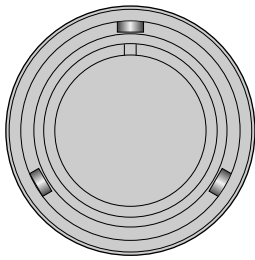
1. Dimensions in brackets [] are in millimeters.

2. Weight without insulator.

● Straight Plug, Shielded

SVG06F(VG95234 Style L)

SVG06F designates a straight plug with endbell for flex tube



Shell size	d ₃ -Thread	d ₁	d ₂ max	L ₁	L ₂ min	Weight ²⁾ g max
10SL	5/8-24UNEF-2A	.898 [22.80]	.323 [8.20]	1.969 [50.00]	.374 [9.50]	21
12S	5/8-24UNEF-2A	1.024 [26.00]	.323 [8.20]	1.969 [50.00]	.374 [9.50]	29
14S	3/4-20UNEF-2A	1.150 [29.20]	.437 [11.10]	1.969 [50.00]	.374 [9.50]	33
16S	7/8-20UNEF-2A	1.260 [32.00]	.563 [14.30]	1.969 [50.00]	.374 [9.50]	42
16	7/8-20UNEF-2A	1.260 [32.00]	.563 [14.30]	2.362 [60.00]	.374 [9.50]	51
18	1-20UNEF-2A	1.437 [36.50]	.657 [16.70]	2.362 [60.00]	.374 [9.50]	59
20	1-3/16-18NEF-2A	1.453 [39.90]	.780 [19.80]	2.362 [60.00]	.374 [9.50]	58
22	1-3/16-18NEF-2A	1.697 [43.10]	.780 [19.80]	2.362 [60.00]	.374 [9.50]	62
24	1-7/16-18NEF-2A	1.835 [46.60]	1.000 [25.40]	2.559 [65.00]	.374 [9.50]	84
28	1-7/16-18NEF-2A	2.102 [53.40]	1.063 [27.00]	2.559 [65.00]	.374 [9.50]	100
32	1-3/4-18NS-2A	2.366 [60.10]	1.280 [32.50]	2.559 [65.50]	.433 [11.00]	116
36	2-18NS-2A	2.610 [66.30]	1.406 [35.70]	3.150 [80.00]	.465 [11.80]	142

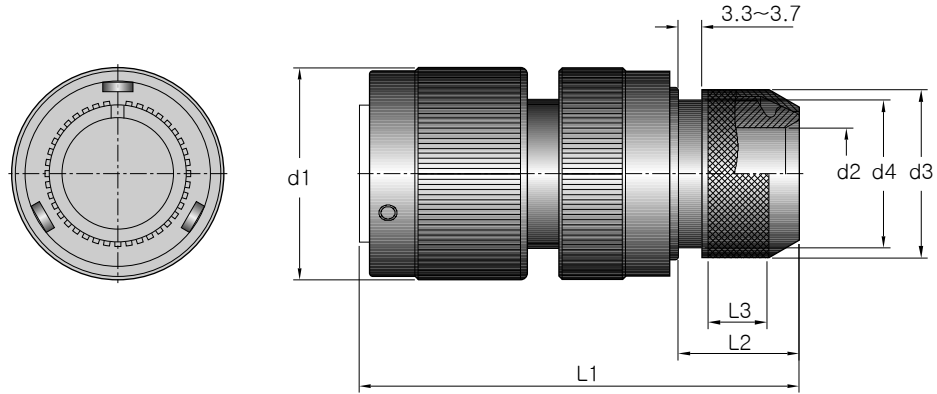
1. Dimensions in brackets [] are in millimeters.

2. Weight without insulator.

● Straight Plug, Shielded

SVG06F1 (VG95234 Style M)

SVG06F1 designates a straight, shielded plug with endbell for shielded braids, and heat shrinkable boots



Shell size	d ₁ max	d ₂ mix	d ₃ ±.020 [±0.5]	d ₄ max	L ₁ max	L ₂ +.039 [+1.0]	L ₃ ±.020 [±0.5]	Weight ²⁾ g max
10SL	.898 [22.80]	.303 [7.70]	.728 [18.50]	.642 [16.30]	2.165 [55.00]	.669 [17.00]	.276 [7.00]	40
12S	1.024 [26.00]	.366 [9.30]	.787 [20.00]	.669 [17.00]	2.165 [55.00]	.669 [17.00]	.276 [7.00]	42
14S	1.150 [29.20]	.417 [10.60]	.866 [22.00]	.787 [20.00]	2.165 [55.00]	.669 [17.00]	.276 [7.00]	45
16S	1.260 [32.00]	.531 [13.50]	.984 [25.00]	.906 [23.00]	2.362 [60.00]	.709 [18.00]	.315 [8.00]	55
16	1.260 [32.00]	.531 [13.50]	.984 [25.00]	.906 [23.00]	2.756 [70.00]	.709 [18.00]	.315 [8.00]	65
18	1.437 [36.50]	.575 [14.60]	1.102 [28.00]	.965 [24.50]	2.756 [70.00]	.709 [18.00]	.315 [8.00]	75
20	1.571 [39.90]	.728 [18.50]	1.260 [32.00]	1.122 [28.50]	2.756 [70.00]	.709 [18.00]	.394 [10.00]	85
22	1.697 [43.10]	.819 [20.80]	1.339 [34.00]	1.301 [30.50]	2.756 [70.00]	.709 [18.00]	.394 [10.00]	100
24	1.835 [46.60]	.969 [24.60]	1.496 [38.00]	1.358 [34.50]	2.756 [70.00]	.709 [18.00]	.394 [10.00]	115
28	2.102 [53.40]	1.063 [27.00]	1.614 [41.00]	1.476 [37.50]	2.756 [70.00]	.709 [18.00]	.394 [10.00]	130
32	2.366 [60.10]	1.311 [33.30]	1.890 [48.00]	1.732 [44.00]	2.756 [70.00]	.709 [18.00]	.394 [10.00]	170
36	2.610 [66.30]	.516 [38.50]	2.165 [55.00]	2.008 [51.00]	3.150 [80.00]	.709 [18.00]	.394 [10.00]	190

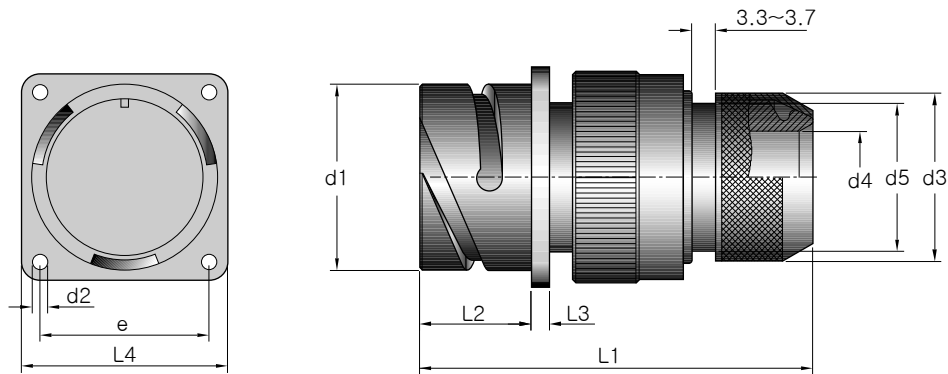
1. Dimensions in brackets [] are in millimeters.

2. Weight without insulator.

● Wall Mounting Receptacle

SVG00F1 (VG95234 Style N1) with threaded holes in flange
 SVG00F2 (VG95234 Style N2) with through holes in flange

SVG00F designates a shielded receptacle with endbell for shielded braids, and also for heat shrinkable boots



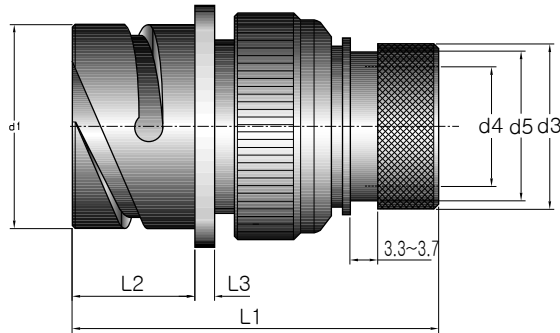
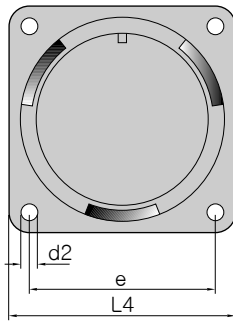
Shell size	d ₁ -.006 [-0.15]	d ₂ Thread H13		d ₃ ±.020 [±0.5]	d ₄ min	d ₅ max	e ±.004 [±0.1]	L ₁ max	L ₂ +.016 [+0.4]	L ₃ ±.008 [±0.2]	L ₄ ±.012 [±0.3]	Weight ²⁾ g max
		N1	N2									
10SL	.717 [18.20]	M4 [M4]	.126 [3.20]	.728 [18.50]	.303 [7.70]	.642 [16.30]	.717 [18.20]	2.165 [55.00]	.717 [18.20]	.110 [2.80]	1.000 [25.40]	45
12S	.843 [21.40]	M4 [M4]	.126 [3.20]	.787 [20.00]	.366 [9.30]	.669 [17.00]	.811 [20.60]	2.283 [58.00]	.717 [18.20]	.126 [3.20]	1.102 [28.00]	50
14S	.969 [24.60]	M4 [M4]	.126 [3.20]	.866 [22.00]	.417 [10.60]	.787 [20.00]	.906 [23.00]	2.283 [58.00]	.717 [18.20]	.126 [3.20]	1.181 [30.00]	55
16S	1.079 [27.40]	M4 [M4]	.126 [3.20]	.984 [25.00]	.531 [13.50]	.906 [23.00]	.969 [24.60]	2.756 [70.00]	.717 [18.20]	.126 [3.20]	1.280 [32.50]	65
16	1.079 [27.40]	M4 [M4]	.126 [3.20]	.984 [25.00]	.531 [13.50]	.906 [23.00]	.969 [24.60]	2.756 [70.00]	.846 [21.50]	.126 [3.20]	1.280 [32.50]	75
18	1.213 [30.80]	M4 [M4]	.126 [3.20]	1.102 [28.00]	.575 [14.60]	.965 [24.50]	1.063 [27.00]	2.756 [70.00]	.907 [23.05]	.157 [4.00]	1.378 [35.00]	85
20	1.346 [34.20]	M4 [M4]	.126 [3.20]	1.260 [32.00]	.728 [18.50]	1.122 [28.50]	1.157 [29.40]	2.756 [70.00]	.907 [23.05]	.157 [4.00]	1.496 [38.40]	95
22	1.472 [37.40]	M4 [M4]	.126 [3.20]	1.339 [34.00]	.819 [20.80]	1.201 [30.50]	1.252 [31.80]	2.756 [70.00]	.907 [23.05]	.157 [4.00]	1.614 [41.00]	105
24	1.610 [40.90]	M4 [M4]	.146 [3.70]	1.496 [38.00]	.969 [24.60]	1.358 [34.50]	1.374 [34.90]	2.756 [70.00]	.907 [23.05]	.157 [4.00]	1.752 [44.50]	120
28	1.839 [46.70]	M5 [M5]	.146 [3.70]	1.614 [41.00]	1.063 [27.00]	1.476 [37.50]	1.563 [39.70]	2.756 [70.00]	.947 [24.05]	.157 [4.00]	2.000 [50.80]	150
32	2.102 [53.40]	M5 [M5]	.169 [4.30]	1.890 [48.00]	1.311 [33.30]	1.732 [44.00]	1.752 [44.50]	2.953 [75.00]	.947 [24.05]	.157 [4.00]	2.244 [57.00]	190
36	2.346 [59.60]	M5 [M5]	.169 [4.30]	2.165 [55.00]	1.516 [38.50]	2.008 [51.00]	1.937 [49.20]	3.346 [85.00]	.947 [24.05]	.157 [4.00]	2.500 [63.50]	220

1. Dimensions in brackets [] are in millimeters.
 2. Weight without insulator.

● Wall Mounting Receptacle

SVG00G1 (VG95234 Style U1) with threaded holes in flange
 SVG00G1 (VG95234 Style U2) with through holes in flange

SVG00G1 designates a wall mounting receptacle with adapter for heat shrinkable boots



Shell size	d ₁ -.006 [-0.15]	d ₂		d ₃ ±.008 [±0.2]	d ₄	d ₅ max	e ±.004 [±0.1]	L ₁ max	L ₂ +.016 [+0.4]	L ₃ ±.008 [±0.2]	L ₄ ±.012 [±0.3]	Weight ²⁾ g max
		Thread	H13									
10SL	.717 [18.20]	M4 [M4]	.126 [3.20]	.610 [15.50]	.303 [7.70]	.524 [13.30]	.717 [18.20]	2.244 [57.00]	.717 [18.20]	.110 [2.80]	1.000 [25.40]	35
12S	.843 [21.40]	M4 [M4]	.126 [3.20]	.610 [15.50]	.311 [7.90]	.524 [13.30]	.811 [20.60]	2.244 [57.00]	.717 [18.20]	.126 [3.20]	1.102 [28.00]	45
14S	.969 [24.60]	M4 [M4]	.126 [3.20]	.752 [19.10]	.417 [10.60]	.669 [17.00]	.906 [23.00]	2.244 [57.00]	.717 [18.20]	.126 [3.20]	1.181 [30.00]	50
16S	1.079 [27.40]	M4 [M4]	.126 [3.20]	.941 [23.90]	.531 [13.50]	.862 [21.90]	.969 [24.60]	2.244 [57.00]	.717 [18.20]	.126 [3.20]	1.280 [32.50]	60
16	1.079 [27.40]	M4 [M4]	.126 [3.20]	.941 [23.90]	.531 [13.50]	.862 [21.90]	.969 [24.60]	2.480 [63.00]	.846 [21.50]	.126 [3.20]	1.280 [32.50]	65
18	1.213 [30.80]	M4 [M4]	.126 [3.20]	.941 [23.90]	.579 [14.60]	.862 [21.90]	1.063 [27.00]	2.559 [65.00]	.907 [23.05]	.157 [4.00]	1.378 [35.00]	80
20	1.346 [34.20]	M4 [M4]	.126 [3.20]	1.165 [29.60]	.736 [18.70]	1.031 [26.20]	1.157 [29.40]	2.677 [68.00]	.907 [23.05]	.157 [4.00]	1.496 [38.00]	95
22	1.472 [37.40]	M4 [M4]	.126 [3.20]	1.165 [29.60]	.819 [20.80]	1.031 [26.20]	1.252 [31.80]	2.677 [68.00]	.907 [23.05]	.157 [4.00]	1.614 [41.00]	105
24	1.610 [40.90]	M4 [M4]	.146 [3.70]	1.488 [37.80]	.969 [24.60]	1.358 [34.50]	1.374 [34.90]	2.756 [70.00]	.907 [23.05]	.157 [4.00]	1.752 [44.50]	140
28	1.839 [46.70]	M5 [M5]	.146 [3.70]	1.488 [37.80]	1.063 [27.00]	1.358 [34.50]	1.563 [39.70]	2.795 [71.00]	.947 [24.05]	.157 [4.00]	2.000 [50.80]	160
32	2.102 [53.40]	M5 [M5]	.169 [4.30]	1.882 [47.80]	1.311 [33.30]	1.717 [43.60]	1.752 [44.50]	2.913 [74.00]	.947 [24.05]	.157 [4.00]	2.244 [57.00]	205
36	2.346 [59.60]	M5 [M5]	.169 [4.30]	1.882 [47.80]	1.516 [38.50]	1.717 [43.60]	1.937 [49.20]	2.913 [74.00]	.947 [24.05]	.157 [4.00]	2.500 [63.50]	270

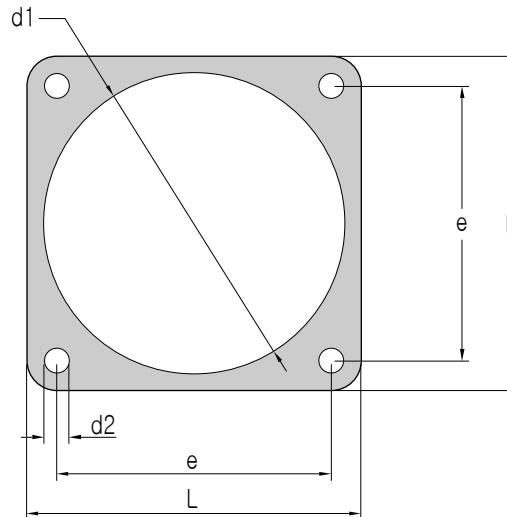
1. Dimensions in brackets [] are in millimeters.

2. Weight without insulator.

● Accessories

● Gaskets

VG95234 style DA Gasket for fixed connectors style A (Front panel mounting)



Designation of a gasket(D) for front panel mounting(A), size 14S, non conductive(1)
: VG 95234 DA 14S-1

Designation of a gasket(D) for front panel mounting(A), size 14S, conductive(2)
: VG 95234 DA 14S-2

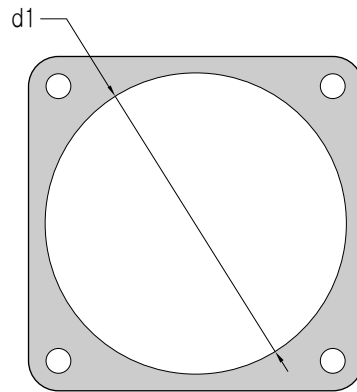
Size	d ₁ +1.0 0	d ₂ +0.5 0	e ± 0.2	L ± 0.5	S (Version)		Mass g max.
					1 ± 0.4	2 ± 0.2	
10SL	15.7	4.2	18.2	25.4	1.0	0.5	2.0
12S	18.9		20.6	28.0			
14S	22.1		23.0	30.0			
16S	25.3		24.6	32.5			
16	25.3		24.6	32.5			
18	28.4		27.0	35.0			
20	31.6		29.4	38.0			
22	34.8	31.8	41.0	1.0	0.5	2.0	
24	38.0	34.9	44.5				
28	44.3	39.7	50.8				
32	50.7	5.1	44.5				57.0
36	57.0		49.2				63.5

1. All dimensions are in millimeters.

● Accessories

● Gaskets

VG95234 style DH Gasket for fixed connectors, style B1, B2, C1, C2, J1, J2, N1, N2, S1, S2, U1 and U2
 (Back panel mounting)
 (other dimensions and data as gasket for front panel mounting(DA))



Designation of a gasket(D) for back panel mounting(H), size 14S, non conductive(1)
 : VG95234 DH 14S-1
 Designation of a gasket(D) for back panel mounting(H), size 14S, conductive(2)
 : VG95234 DH 14S-2

Size	d ₁ +0.3 0	Mass
		g max.
10SL	18.2	2.0
12S	21.4	
14S	24.6	
16S	25.3	
16	30.8	
18	34.2	
20	37.4	
22	40.9	
24	46.7	
28	53.4	
32	59.6	

1. All dimensions are in millimeters.

Material

Version 1 (non conductive) : Elastomer temperature resistance from -55 to 125°C hardness(60 +10) Shore A according to DIN 53 505
 Version 2 (conductive) : Rubber with metallic inlay, temperature resistance from -55 to +125°C

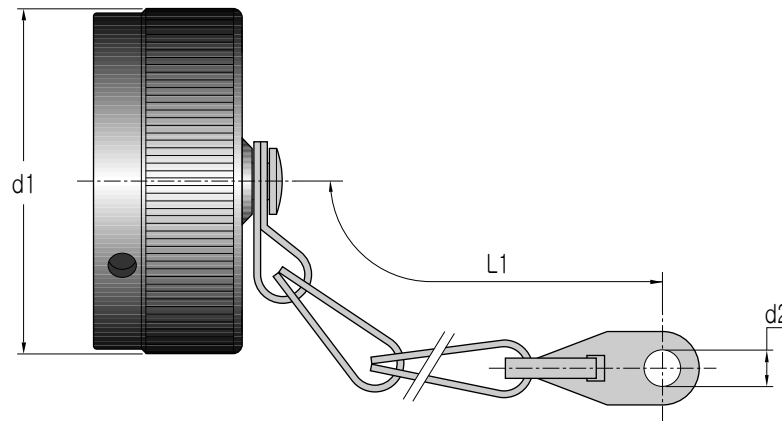
● Accessories

● Protective covers

Protective covers for connector style A, B1, B2, C1, C2, F, J1, J2, N1, N2, S1, S2, U1 and U2

VG95234 style KR with chain

VG95234 style KA with rope



Shell size	d ₁ max.	d ₂ ±0.6 0	L ₁ min.	L ₂ (For style KA) max.	Mass g max.
10SL	23.5	4.3	90.0	20.0	16
14S	30.5				18
16S	30.0				19
16			23		
18			27		
20			30		
22	44.0		115.0	25.0	33
24	47.5	37			
28	54.5	160.0	42		
32	61.0		48		
36	67.5	5.5			55

1. All dimensions are in millimeters.

The pressure-water tightness required according to VG95234 part 1 (Test-No. 5.9) shall be performed in connection with the appropriate connectors.

Material

chain, terminal link and rivet : stainless steel without surface treatment

Case : aluminium alloy bronze-green coloured

Gasket : Elastomer, temperature resistance from -55 to +125°C

Rope : Polyamide

Sleeve : Copper alloy bronze-green coloured

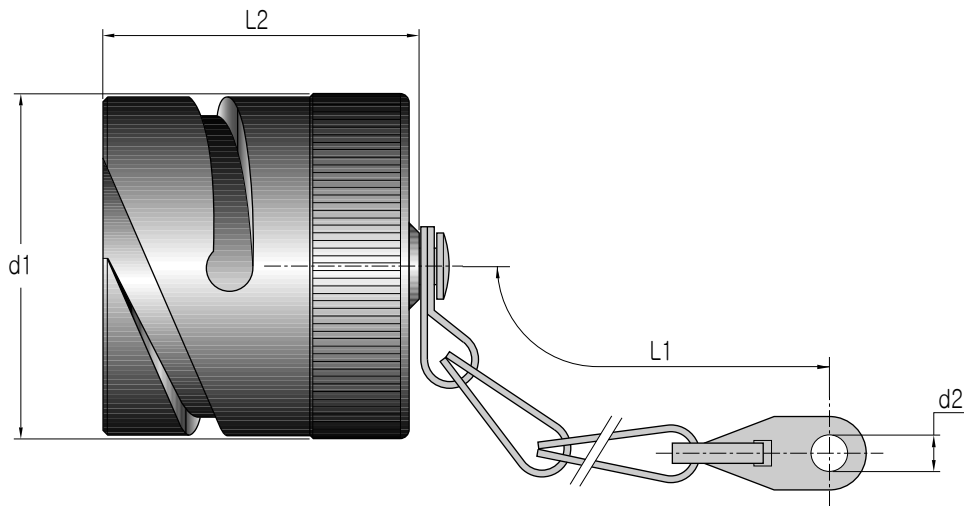
● Accessories

● Protective covers

Protective covers for connectors style D, E, E1, G, H, K, L, M, R1 and T

VG95234 style KB with chain

VG95234 style KC with rope



Shell size	d ₁ max.	d ₂ ±0.6 0	L ₁ max.	L ₂ (For style KC) max.	Mass g max.
10SL	21.0	4.3	90.0	29.0	19
14S	27.5		100.0		26
16S	30.0		115.0		28
16			130.0		33
18	33.5	4.7	190.0	37.0	36
20	37.0				43
22	40.0				47
24	43.5				53
28	49.5	5.5	190.0	37.0	63
32	56.0				75
36	62.5				88

1. All dimensions are in millimeters.

The pressure-water tightness required according to VG95234 part 1 (Test-No. 5.9) shall be performed in connection with the appropriate connectors.

Material

chain, terminal link and rivet : stainless steel without surface treatment

Case : aluminium alloy bronze-green coloured

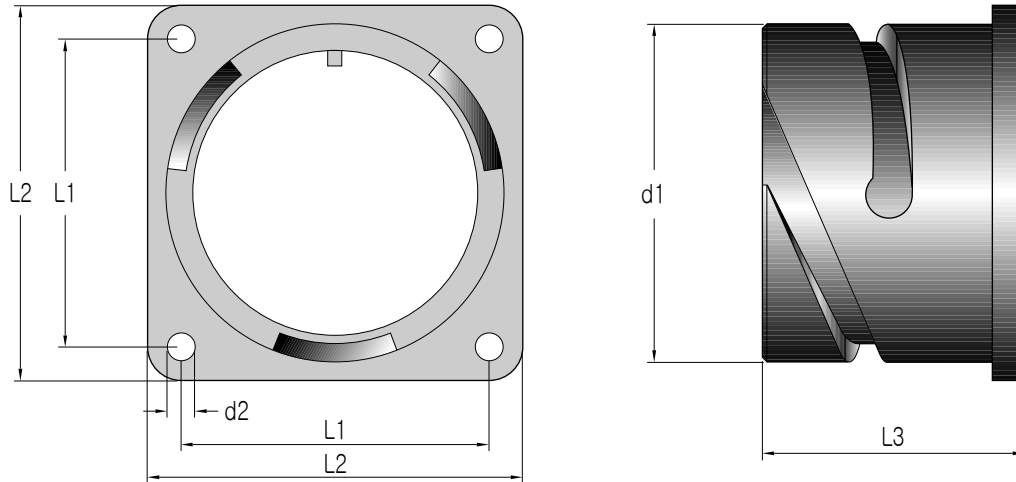
Rope : Polyamide

Sleeve : Copper alloy bronze green coloured

● Accessories

● Dummies

VG95234 style B0D Dummy, back side open for front panel mounting for connectors style D, E, E1, F, G, H, K, L, M, R1 and T



Designation of a dummy(B0D), shell size 14S : VG 95234 B0D 14S

Shell size	L ₁ ± 0.2	L ₂ ± 0.2	L ₃ ± 0.4	d ₁ ± 0.6	d ₂ ± 0.4	Mass g max.
10SL	25.4	18.2	17.5	18.2	3.2	14
14S	30.0	23.0	18.0	24.6		16
16S	32.5	24.6		23.5		27.4
16			23			
18			26			
20	38.0	29.4	25.5	34.2		32
22	41.0	31.8		37.4		36
24	44.5	34.9		40.9	41	
28	50.8	39.7	46.7	52		
32	57.0	44.5	27.0	53.4	4.3	66
36	63.5	49.2		59.6		80

1. All dimensions are in millimeters.

Material as connectors according to VG 95234 part 4 to part 6